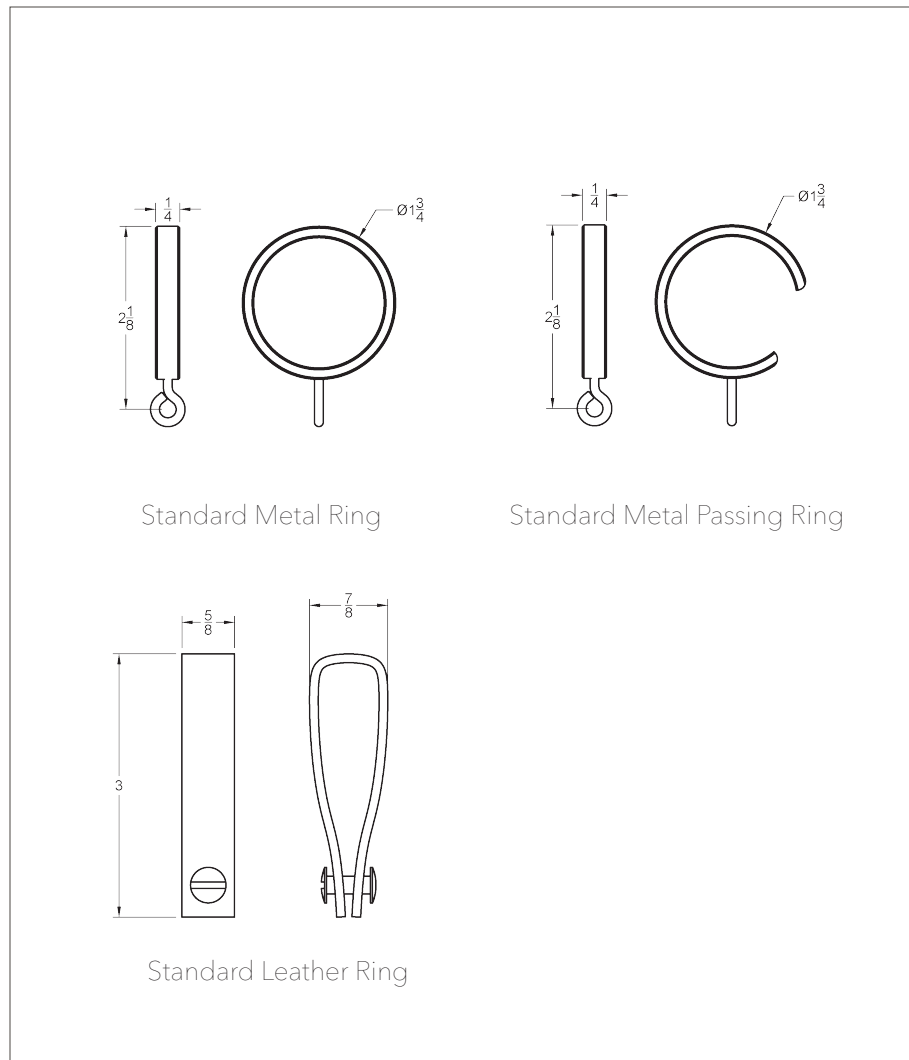




## High Line Collection

### Rings



Dimensions: Standard Metal Ring  
1.75" diameter x 0.25" thickness

Standard Metal Passing Ring  
1.75" diameter x 0.25" thickness

Standard Leather Ring  
3"H x 0.625"W x 0.875"D

Make the High Line Hardware your own!

- Crafted to project specifications
- Handcrafted of Solid Steel
- Signature Plated Finishes
- Outdoor Option Available - please inquire